

# PROTECTOR P40 2022



[www.iwtm.com](http://www.iwtm.com)  
P.+47 31 28 71 71  
mail: [iwtm@iwtm.com](mailto:iwtm@iwtm.com)

# TABLE OF CONTENTS

03 PROTECTOR P40 DESCRIPTION

04 PROTECTOR P40 FUNCTIONS

05 FILTERING ELEMENTS

06 DETAILED INTERNAL AND  
EXTERNAL VIEW

07 DIMENSIONS

08 TECHNICAL DATA

09 MULTI-UNITS



# PROTECTOR P40 DESCRIPTION

ALL-IN-ONE FILTRATION AND WATER TREATMENT UNIT.

## WHAT IS IT?

Protector P40 is a model from our IWTM Protector™ range, a unique side stream filtration device that engineers the system water to a non-corrosive state. It provides corrosion protection in both new and existing heating and cooling systems, by removing sludge, particles, oxygen, and other corrosive products. Therefore, the system is maintained in the best possible way, by constantly filtering and engineering the water using electrochemistry and anode technology. The result is that its cleaning and engineering the water at the same time.

## NEXT GENERATION OF ELECTROCHEMISTRY

The units provide faster clean-up of old systems and quicker compliance with pre commissioning targets on new systems due to the higher flow rates through the reaction tank (cathode) and the inbuilt strainer basket that enables finer filtration. The unscreened larger anodes last longer and release the magnesium hydroxide quicker for faster pH control. Compliance with VDI 2035 is still obtained as the anodes sit inside the basket to capture the magnesium residue when the anodes expire.

Each filter contains neodymium magnets to retain ferrous particles, magnesium anodes to consume oxygen and increase the pH value, and a stainless-steel filter element (55µm) or bag filter (various micron sizes, down to 1 µm) to filtrate the water and remove any suspended solids. The two filter types are entirely interchangeable.

The Protector P40 is completely insulated and clad to prevent heat loss and condensation. In closed systems the typical installation will be in side stream, but it can also be installed in the main flow in a modular arrangement for larger systems. This provides a method of easy installation, operation and maintenance.

## HOW DOES IT WORK?

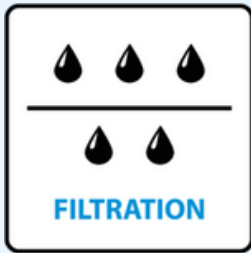
The water enters from the inlet connection, then passes around and down past magnets and anodes. The dry internal magnets will prevent the filter basket from clogging up as the magnet sleeve will retain the magnetic particles (magnetite) in place until the magnet is removed for cleaning and blow down. During this process, oxygen will be consumed by dissolving the anodes, and excess air will rise up and out of the vent valve. The water will now flow through the filter element/ filter bag so that particles will physically be stopped by either of the filters. The result will be clear water with controlled alkaline pH, without oxygen or particles and sludge.

## MAINTENANCE

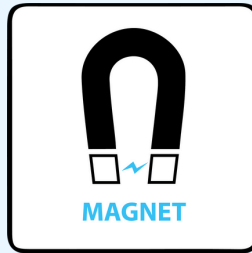
When the progressive build-up of suspended solids retained by the stainless-steel screen causes an excessive increase of pressure differential between the inlet and outlet connections, the screen must be cleaned.

To perform the cleaning operations, there are two options either a normal backflush of the filter or by complete removal and washing of the filter. The filter can be used to remove chemicals and inhibitors but works well with organic glycol.

# PROTECTOR P40 FUNCTIONS



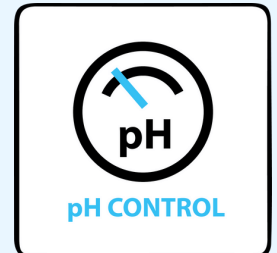
PARTICLE  
FILTRATION



MAGNETIC  
PROTECTION



REDUCES  
DISSOLVED OXYGEN



CORROSION  
PREVENTION

## Prevents Corrosion

Protector's water treatment features prevent corrosion in the system. This is achieved thanks to magnesium anodes that lower oxygen, regulate pH and reduce electrical conductivity.

## All In One

Protector is an "all in one solution". It combines several different technologies in one single extremely functional and reliable device.

## Traps Ferrous Particles

Protector is equipped with Neodymium Magnets that trap ferrous particles, drastically increasing the time before manual intervention is needed.

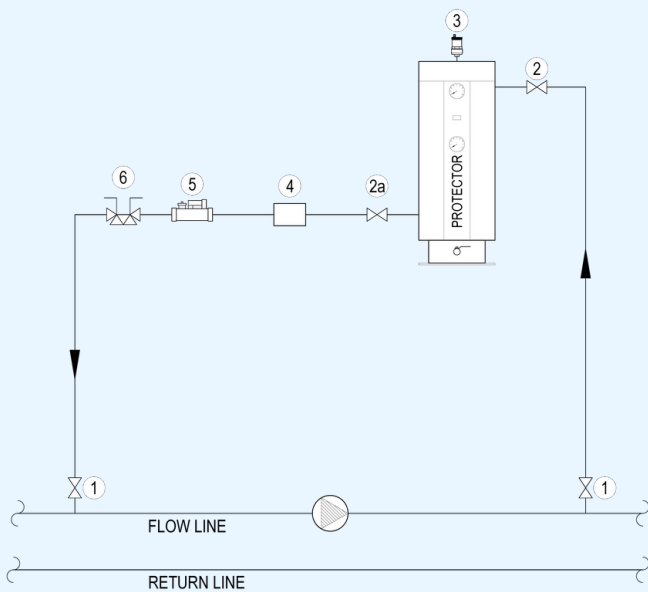
## Removes Contamination

Protector cleans and restores recirculating systems by removing suspended particles.

+ PROVIDES	- REPLACES
Sludge and particle removal	Bag filters
Magnetite Removal	Magnet filters
pH adjustment	Chemicals
Oxygen consumption	Air separators
Anodic water treatment	Dosing pots + automatic dosing systems

# PROTECTOR P40 FUNCTIONS

# FILTERING ELEMENTS

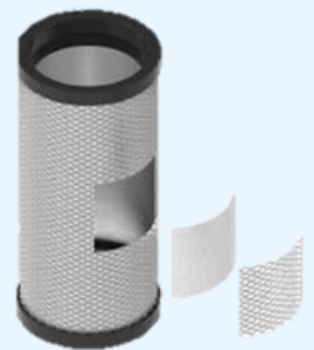


Protector P40 keeps your system clean by adapting to your needs. Two different filtering elements, completely interchangeable, remove suspended particles from the recirculating system.

The use of different gauge filters by progressive stepped filtration helps to avoid filters blocking too early.

## PARTICLE FILTRATION

Protector P40 comes as standard with a robust stainless steel filter which is 40 micron nominal (55 absolute). Stainless steel AISI 316, 55µm filter.



2-Layer S.S Filter

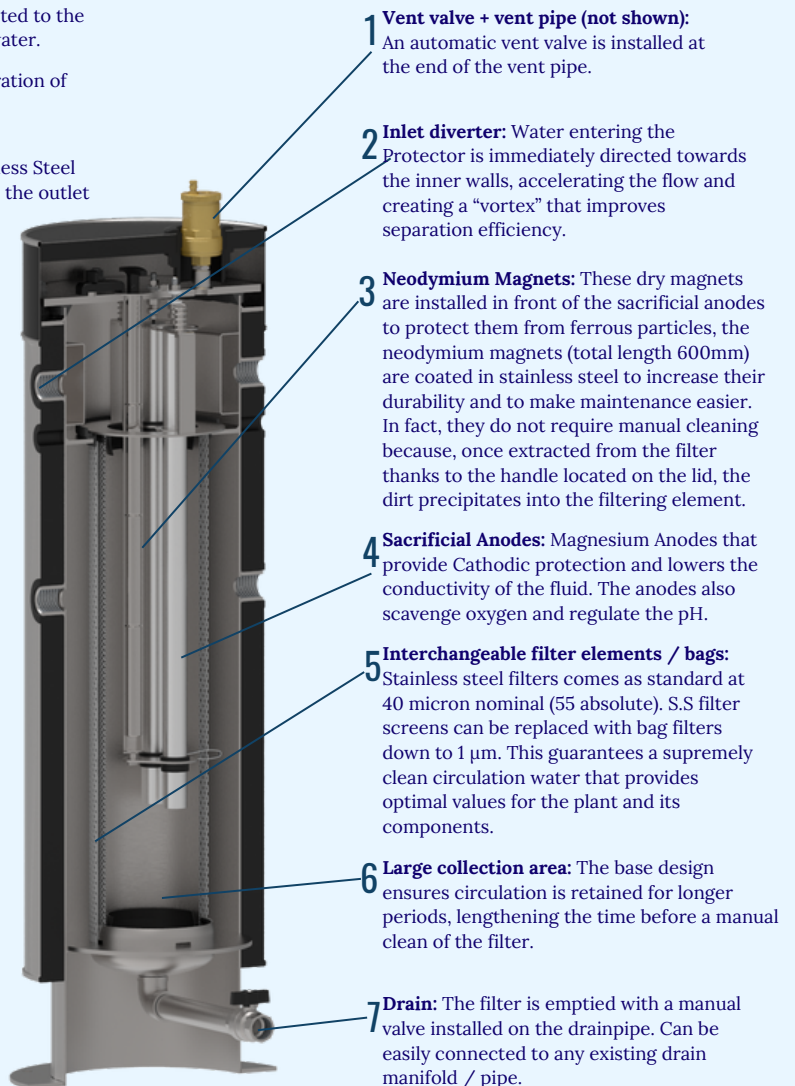
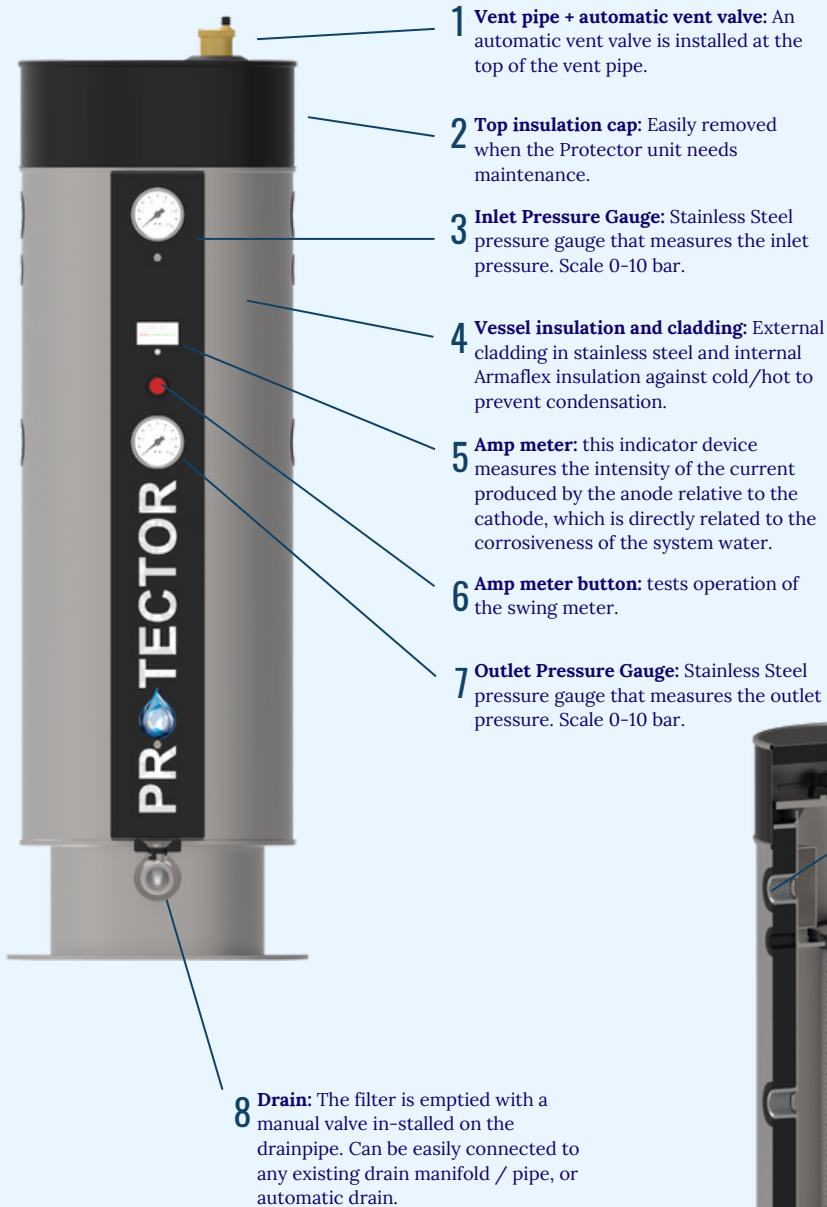
The filter has a large surface which gives a long operating time before cleaning and thus less flushing and refilling.

## FINE FILTRATION

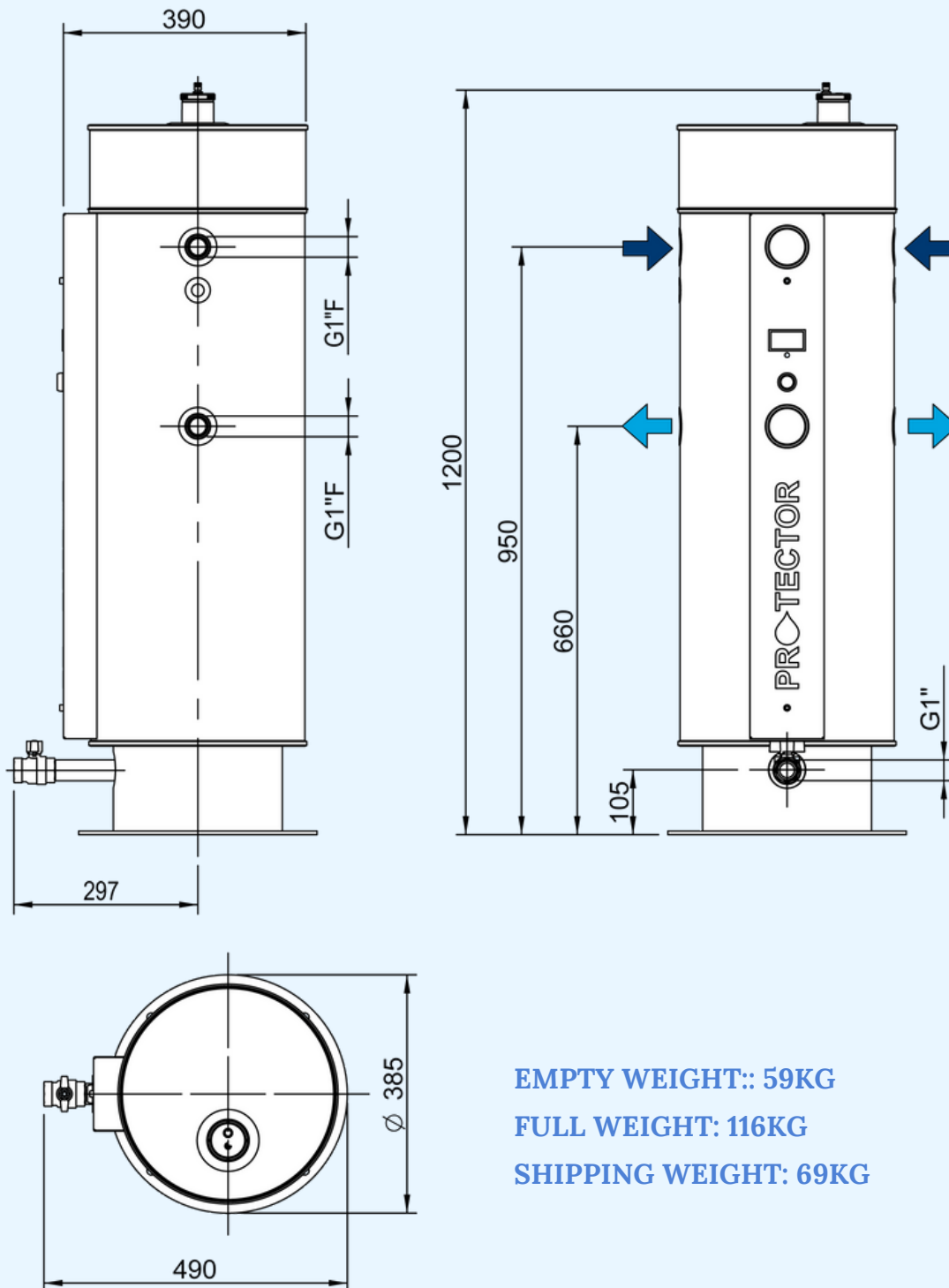


The filter elements can be replaced with filter bags with a filter degree down to 1 µm.

# DETAILED EXTERNAL & INTERNAL VIEW



# DIMENSIONS



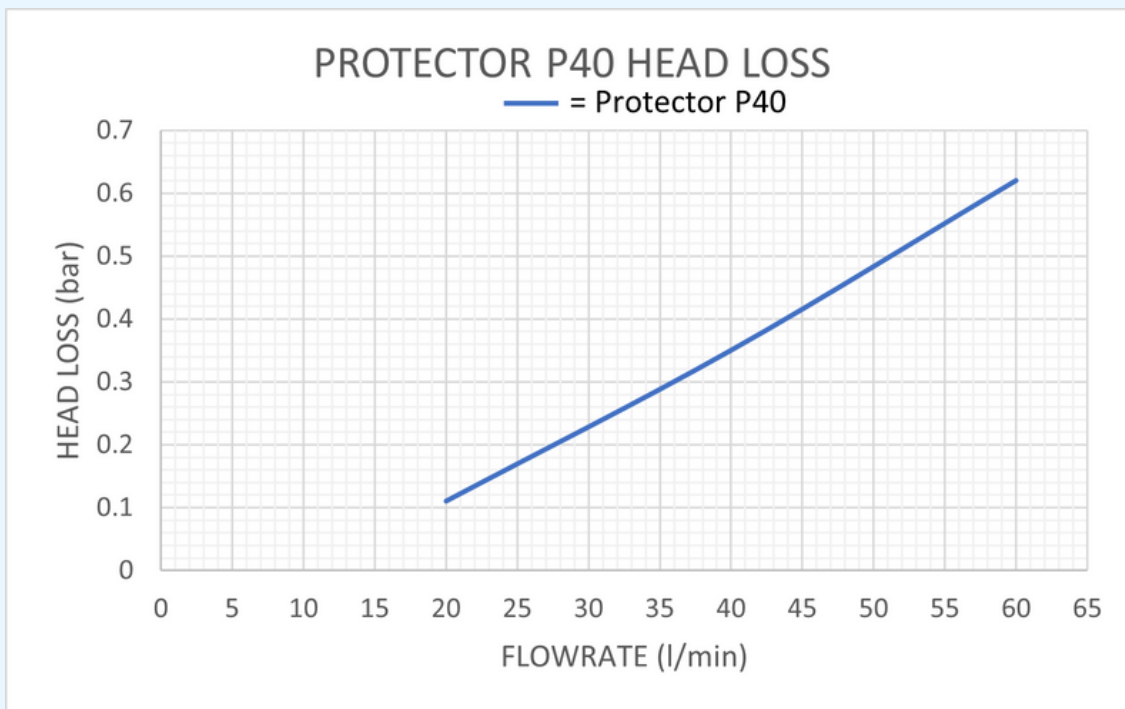
# TECHNICAL DATA

## TECHNICAL SPECIFICATIONS

Parameter	Value
System Volume	Max 40m <sup>3</sup> - Heating Max 30m <sup>3</sup> - Cooling
Water Flow	20-40 l/min
Design Pressure (bar)	PN 10
Max. Temperature (°C)	95
Tank Volume	57L
Design code	PED 2014/68/EU
Connections	1" FBSP

\*Flow rate referred to clean water at 110µm filtration degree.

## HEAD LOSS



Head loss is calculated with 110µm stainless steel filter and clean water.

**Note: Talk to us for systems that operate at higher pressures or higher temperatures.**

## MATERIALS

Component	Component Material
Filter Housing	Stainless Steel AISI 304
Filter Screen	Stainless Steel AISI 316L
Gaskets EPDM *	EPDM *
Insulation / cladding	Armaflex / Stainless Steel
Pressure Gauges	Stainless Steel AISI 304
Anodes	Magnesium
Magnets	Neodymium
Surface Finishing	Shot Peening and Passivation

\*Certified for the following European Drinking Water regulations: UBA, DVGW standard W-270, WRAS and ACS.



# MULTI-UNITS

## COMPACT MULTI-UNIT SOLUTION FOR HIGHER VOLUMES

For systems with higher volumes, Protector P40 can be supplied in multi-units with manifolds ready to be assembled and installed, designed to be compact and space saving. The kit includes the Protector, manifolds, isolation valves and all accessories - it is modular and can be tailored to suit existing systems.

## AN EFFICIENT ALTERNATIVE

Protector P40 modules take up less space and make the installation and handling easier than one large unit where access may be a problem. During operation, the Protector multi-units work as a large all-in-one system, but when maintenance is needed, they are as easy and quick to clean as a single unit and do not require a complete emptying of the tank.



## FILTERING AND CLEANING CONTINUE DURING MAINTENANCE

When the filtering element needs to be cleaned, and maintenance is necessary, there is no need to stop the entire system. Each Protector P40 unit can be isolated, cleaned and re-started while the others keep working. This ensures that regular maintenance operations do not affect the quality of the protection and prevention offered by Protector P40.

## READY TO GO

The systems are supplied with pre-assembled components ready for final assembly on site for ease of installation. As soon as they are installed in the circuit, they start protecting the plant.

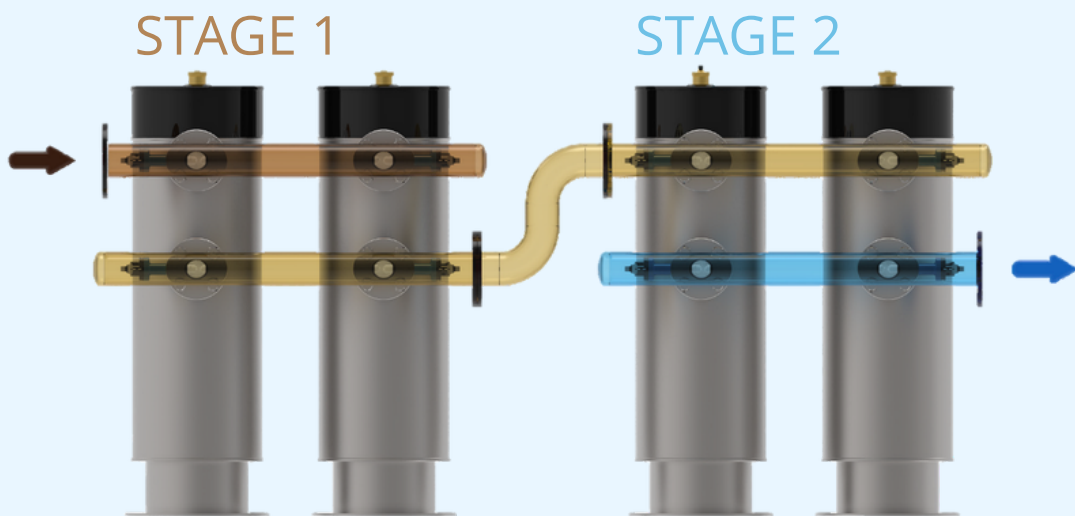
## MODULAR SYSTEM & DIFFERENT LAYOUT OPTIONS

The systems are modular and can be manufactured depending on the number of units required (2, 4, 6, 12, etc.) to match the required flow rate. In addition to the number of desired units, they can be designed to work in parallel or in series.

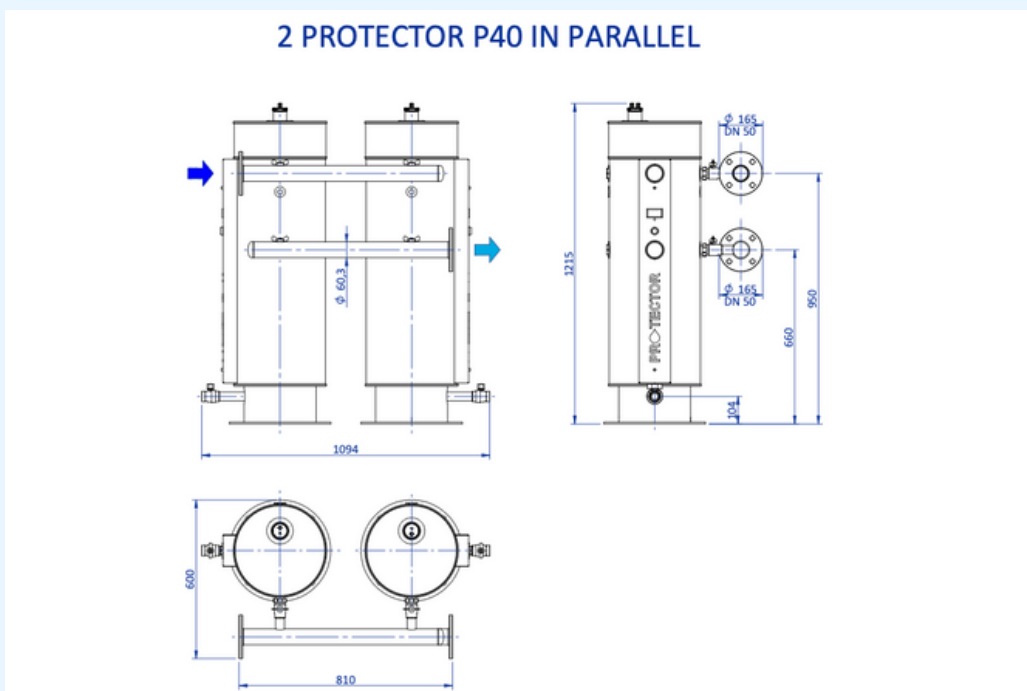


# MULTI-UNITS

## 2 + FILTRATION DEGREES IN SERIES



In this example, the units are installed in series, with a connection pipe between each module's in/out manifolds, this allows the customer to have two or more (depending on the number of modules) filtration levels in the same system. For example, the customer can start with the standard 55µm (with the stainless-steel mesh) and finish with a 1µm bag filter.



# Environmental Culture Change

*be a part of it*

clean | protect | prevent



**LETTER OF COMPLIANCE  
CLEAN MARITIME  
MACHINERY AND COMPONENTS**

COMPLIANCE LETTER NO. 1

*This is to certify that the*

**Water Treatment Units**

*with type designations*

**Elysator 15, 25, 50, 75, 100, 260, 500, 800 and 1000L**

*Manufactured by*

**International Water Treatment Maritime AS**

**SLEMMESTAD, Norway**

*is found to comply with*

Det Norske Veritas' Standards for Certification 2.17 (new), Standard for CLEAN Maritime Machinery and Components

HØVIK  
June 4<sup>th</sup> 2003

  
for Morten Østby  
Project Responsible

  
Tor Jø Landheim  
Project Manager

DET NORSKE VERITAS

Founded in 1992, IWTM have been working with chemical free water treatment using electrochemistry for over 30 years and have offices in Norway, UK, Finland, Sweden, Canada, USA and a worldwide presence in the Marine sector.

We have developed models specifically suited to the higher demands of the marine industry operating at higher pressures and higher temperatures.

The marine products are provided worldwide on the world's largest cruise ships working with the leading operators in this sector.

Having secured DNV approval in 2003, we are still the only chemical free water treatment manufacturer to have this certification and approval. DNV is a globally leading quality assurance and risk management company operating in more than 100 countries.

The IWTM Protector™ is our most recently developed product. The Protector range is now available to our land-based customers.

Version 2: December 2022

IWTM AS

Eternitveien 34, 3470 Slemmestad

Norway

WWW.IWTM.COM,

www.protektor.no

T: +47 31 28 71 71

E: iwtm@iwtm.com

